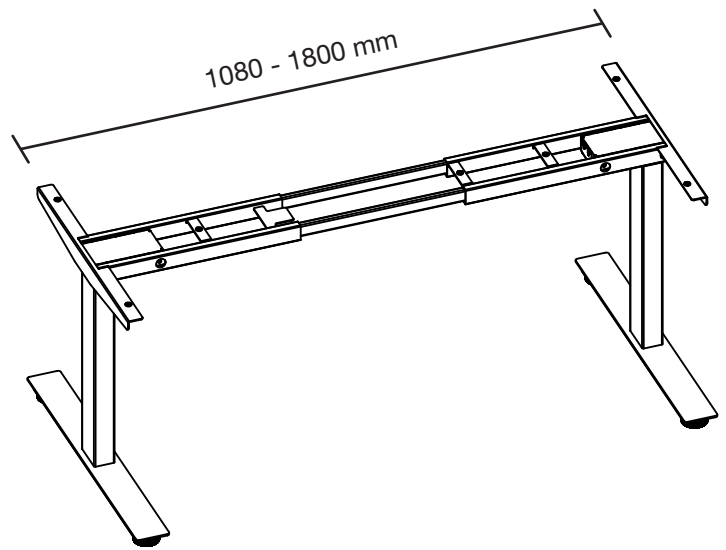


UP - Serie 6000

a product by **Cube Design**[®]

Phone +45 86 98 74 11
Email cube@cube-design.dk
Website www.cube-design.dk



Assembly Manual



This assembly manual is valid for tables in serie 6000. The columns are rectangular.

CUBE
DESIGN

1 1 step assembly manual for the UP frame

PACKING LIST

Frame	pcs
Column	2
Feet	2
End rail	2
Frame 1	1
Frame 2	1
Conection rail	2
Cable clamp	4
Control box	
Control box	1
Handset with cable	1
Power cable, 3 m	1
Connecting cable, 1 m	2
Screws	
Hexagon screw for motor house/end rail, M6x14 mm	4
Screw for feet, M8x14mm	4
Hexagon screw for motor house/frame, M6x10	8
Set screws for connection pipe, M6x8mm	8
Screw for tabletop and handset, Ø5x20mm	

RESET THE DESK BEFORE USE

Press and hold the "down" button on the handset. Continue pressing until the desk has reached the lowest position. Press the "down" button in 5 seconds until the desk enters the reset state, and the handset is going down to complete the reset. Now the system is operational.

In normal state, the indicator light is off. In the error state, the indicator light is on. In the reset state, the indicator light flashed.

EXAMPLE OF OVERHANG

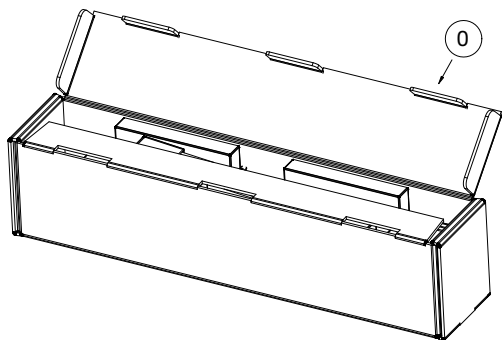
Table top L 1200 mm - frame must have a length of 1080 mm
 Table top L 1400 mm - frame must have a length of 1280 mm
 Table top L 1600 mm - frame must have a length of 1480 mm
 Table top L 1800 mm - frame must have a length of 1680 mm
 Table top L 2000 mm - frame must have a length of 1800 mm

Place the frame in the center of the table top.

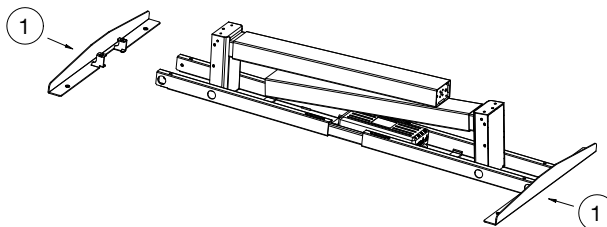
WARNING Carefully arrange all the cables not to be damaged by tabletop screws.

HOW TO ASSEMBLE THE DESK

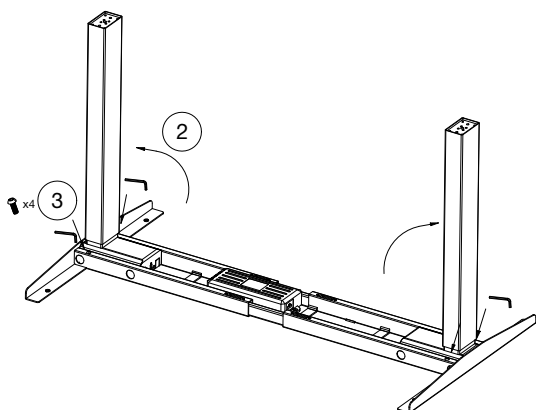
Step 0: Open the box.



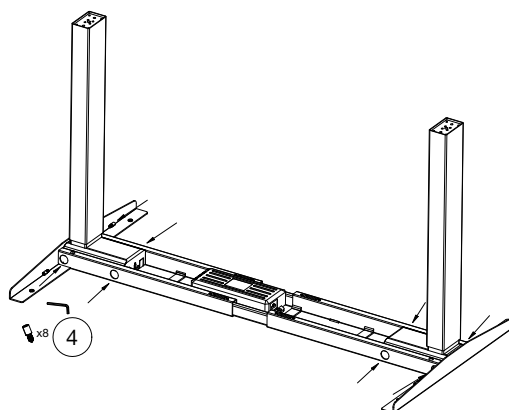
Step 1: Ad both end rails to the frame.



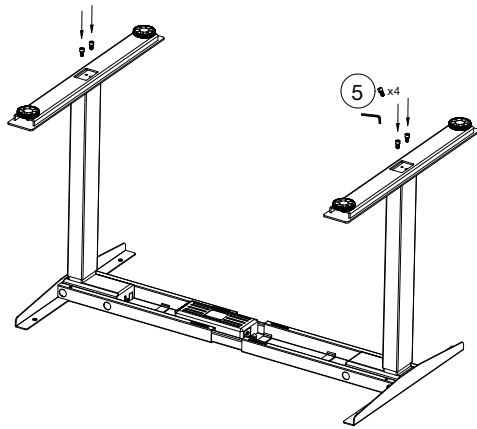
Step 2-3: Raise the columns and tighten the screws to the end rail through the frame. Start with the left column followed by the right column.



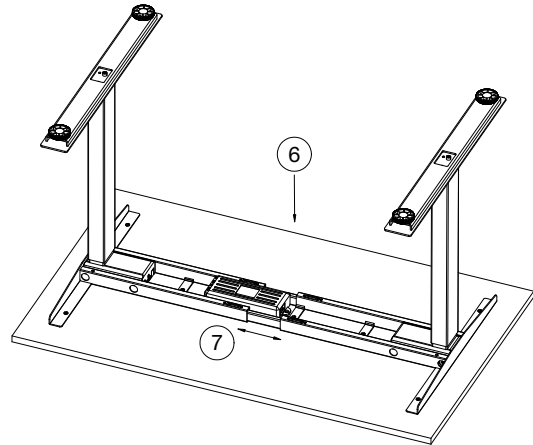
Step 4: Ad 8 M6x10 hexagon screw through the frame into the motor house of the columns. Tighten the screws.



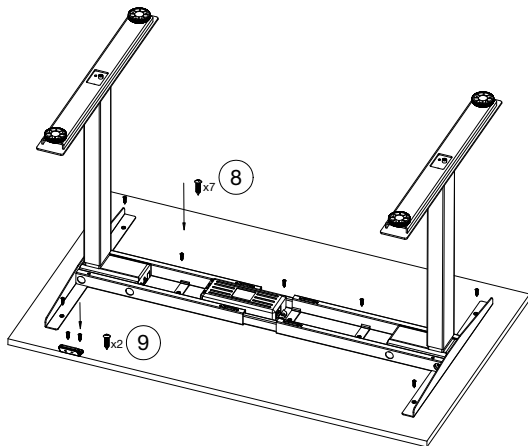
Step 5: Ad the feet on to the columns and fasten each with 2 M8x14 mm screws. Tighten the screws.



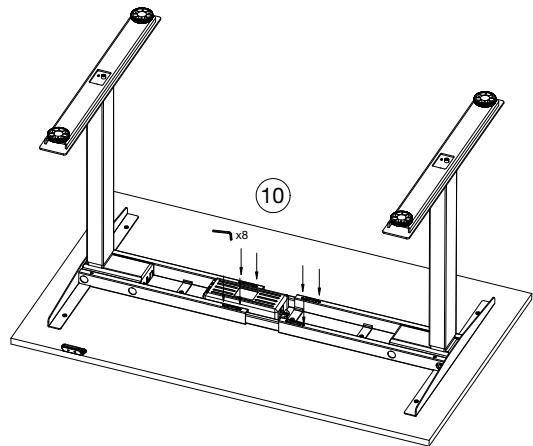
Step 6-7: Place the frame on the table top. Pull out the frame and make sure that it is placed 60 mm from the edge, if you have a 1200-1800 mm table, and 100 mm from the edge if you have a 2000 mm table. Make sure that the connection rails are centered.



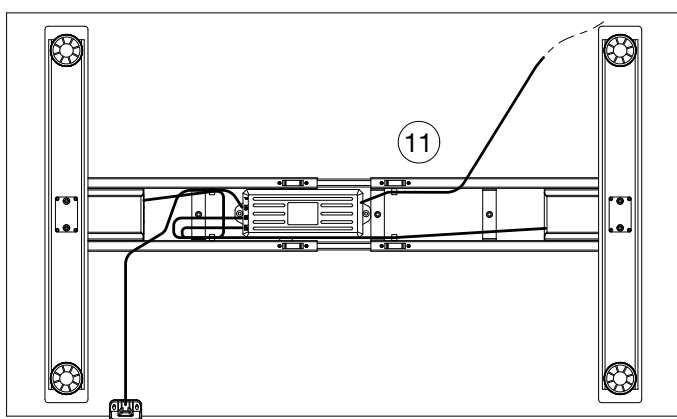
Step 8-9: Mount the frame to the table top with 7 5x20 mm wood screws and the handset with 2 5x20 mm wood screws. Tighten the screws.



Step 10: Tighten all 8 screws in the frame.



Step 11: Ensure that the cables are placed properly and plug the cables into the control box. Use the cable clamps to fasten the cables for the control box.



Important

Make sure to tighten all screws, also after a period of time.

User manual

1. Preface

Congratulations on your new Cube Design UP sit-stand desk. The desk is an electrically driven desk, intended for indoor use in office environments. The desk is also suitable for home offices. Carefully read this manual before using the desk. The instruction manual must always follow the sit-stand desk.

2. Table information

The height adjustment of the sit-stand desk is driven by Jiechang, where each column is equipped with an engine. These are controlled from a control box which is connected to the control panel. The control box must be plugged into 230 volt power outlet and has built-in electronic overload protection that can not be replaced. The sit-stand desk is double insulated and does not need grounding.

3. Important information

A sit-stand desk must always be reset after assembly. This adjustment is performed to ensure that the built-in motors work synchronously. It is recommended that the procedure must take place when the UP desk asks to be reset and every time the sit-stand desk is moved. Please follow the procedure described here:

1. Connect the power
2. Press and hold the "down" button on the handset. Continue pressing until the desk has reached the lowest position.
3. Press the "down" button in 5 seconds until the desk enters the reset state, and the handset is going down to complete the reset.
Now the system is operational.
4. In normal state, the indicator light is off. In the error state, the indicator light is on. In the reset state, the indicator light flashed.

4. Prohibitions, warnings and advice

- The sit-stand desk must not be used for lifting persons (eg. when replacing light bulbs in ceiling lamps)
- The sit-stand desk must be leveled. If the ground is not level use the adjustable shoes under the feet
- The sit-stand desk is intended to be activated continuously max. 2 min at a time or a maximum of 6 minutes per. hour at full load
- Be aware of the risk of entrapment in the height of the table movement
- Pay special attention to children when they are near the sit-stand desk
- The entire table top must be free (minimum 25 mm) of shelving, frames, tables and other similar objects
- The power cord must not be damaged or trapped
- Ensure that the wires for the computer, phone and network, etc. are long enough. Gently run the sit-stand desk to the highest and lowest position
- The power must be switched off at the power outlet (eg. at night) if the power consumption must be reduced to the maximum

5. Operating

The sit-stand desk can only be operated from the control panel mounted under the table top. The panel has two buttons respectively up and down. Arrow buttons show the direction. The table will move as long as one of the buttons is pressed.

It is possible to reset the sit-stand desk by using this control panel (see section 3). Be aware of crushing danger when using the height adjustment. The table has no separate power switch - use the power outlet when the sit-stand desk must be disconnected. If there is a malfunction or similar, see the Error table.

6. Maintenance

The moving mechanism must not be lubricated with oil or otherwise. Maintenance is limited to wiping the table top and frame with cloth dampened in a mild soap. Stubborn stains may be removed with rubbing alcohol. Do not allow water into the electrical parts.

7. Assembly of the table

The parts of the sit-stand desk are removed from all packaging. Make sure that all parts, shown on the drawing, are represented. If parts are missing please contact Cube Design.

8. Setup

The sit-stand desk should be placed on a flat surface and the table top adjusted level with the adjustable shoes under the feet. It is necessary to reset the table after adjusting the shoes (see section 3). All cables for the sit-stand desk must be arranged and assembled, eg. in a flexible cabling, so that the cables do not disturb the user and the function of the sit-stand desk.

9. Moving

The sit-stand desk should be run in the lowest position before moving it and all conduit should be removed. Installation procedure is repeated for the establishment of the new space.

10. Repair

Repair of the sit-stand desk must be made by authorized repairer / technician, because the sit-stand desk does not contain serviceable parts which the user can repair.

11. Warranty

Cube Design's warranty covers manufacturing and material defects discovered during normal use of the sit-stand desk. The warranty does not cover defects or damages directly or indirectly caused by misuse, violence or interference by other than an authorized repairer / technician.

12. Disposal

The sit-stand desk must be disposed as follows:

- Table top to incineration
- Metal structure for metal recycling
- Electronics for reception facilities for electronics

13. Technical specifications

Dimensions	Following the table top, but a maximum of 200 cm x 110 cm
Electrical con.	230 V, 50 Hz, dobbelt insulated, no need for grounding
Power input	200 W
Standby	0,1 W
Sound level	maximum 50 dB(A)
Load	A maximum of 125 kg located centrally on the table
Operating temp.	0 degrees C to +40 degrees C
Air humidity	10 - 80 % RH (Relative Humidity)
Height variation	59,5-124,5 cm
Speed up/down	A maximum of 40 mm./sec.
Continuous operation	- Max. 2 min. continuously at full load or 6 min. per. hour (10%)

14. Error

The sit-stand desk does not respond:

- Check connection to power input. Is it turned on?
- Check, that the wiring from the control box is connected
- Check, that the wire from the control device is connected
- Check, that the connectors are completely mounted in
- Check, that no wires have been cut / disconnected
- Check, that the mains fuses are OK
- If the sit-stand desk still does not respond please contact the supplier for service

The sit-stand desk does not run smoothly:

- Switch off at the power input and unplug
- Try to restart and initialize the sit-stand desk
- If the error still occurs please contact the supplier for service

The sit-stand desk is no longer level:

- Check adjustable shoes. If OK, run the sit-stand desk in the bottom of the new initialization

The sit-stand desk makes an unusual noise:

- Check that the sit-stand desk is not rubbing against other sit-stand desks or elements
- Locate the noise and if it is coming from the desk column, contact supplier for service - Do not use the height adjustment until the service is completed

15. Contact information

Cube Design A/S
Vadstedvej 212
DK-8450 Hammel

Phone no. +45 86 98 74 11
Mail cube@cube-design.dk
Web www.cube-design.dk